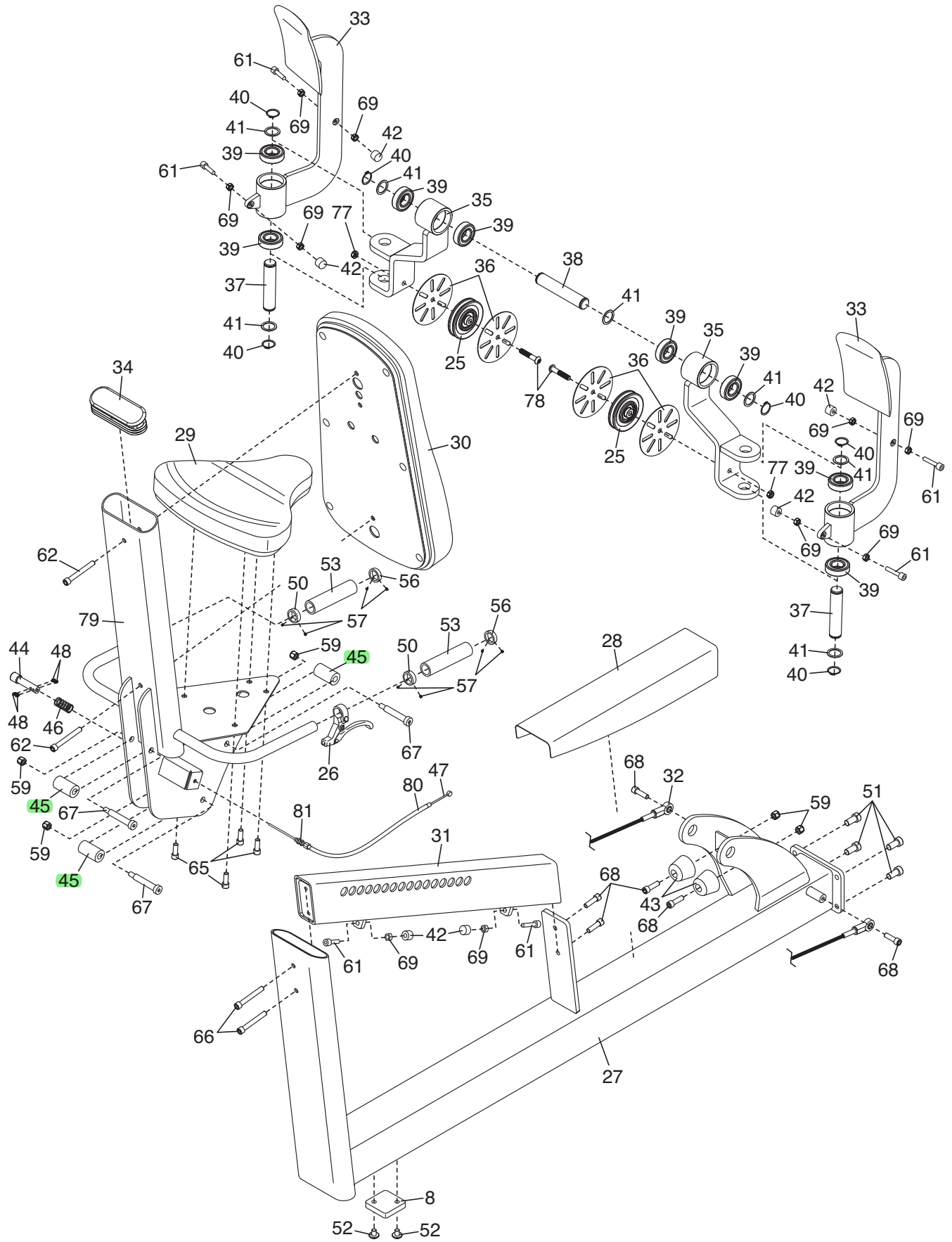


# EXPLODED DRAWING A

Model No. F607.1 R0211A



# EXPLODED DRAWING B

Model No. F607.1 R0211A

